



2017 NEC Question Of The Week

In outdoor pool areas, festoon lighting installed above the pool and within 5 feet horizontally from the inside walls of the pool, shall be installed at a height not less than ___ feet above the maximum water level of the pool.

- A) 6
- B) 8
- C) 10
- D) 12



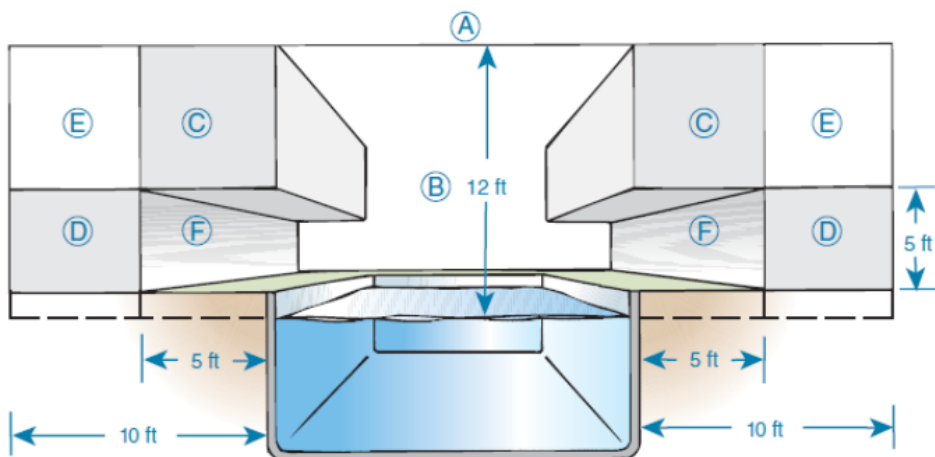
680.22 Lighting, Receptacles, and Equipment.

(B) Luminaires, Lighting Outlets, and Ceiling-Suspended (Paddle) Fans.

(1) New Outdoor Installation Clearances. In outdoor pool areas, luminaires, lighting outlets, and ceiling-suspended (paddle) fans installed above the pool or the area extending 1.5 m (5 ft) horizontally from the inside walls of the pool shall be installed at a height not less than 3.7 m (12 ft) above the maximum water level of the pool.

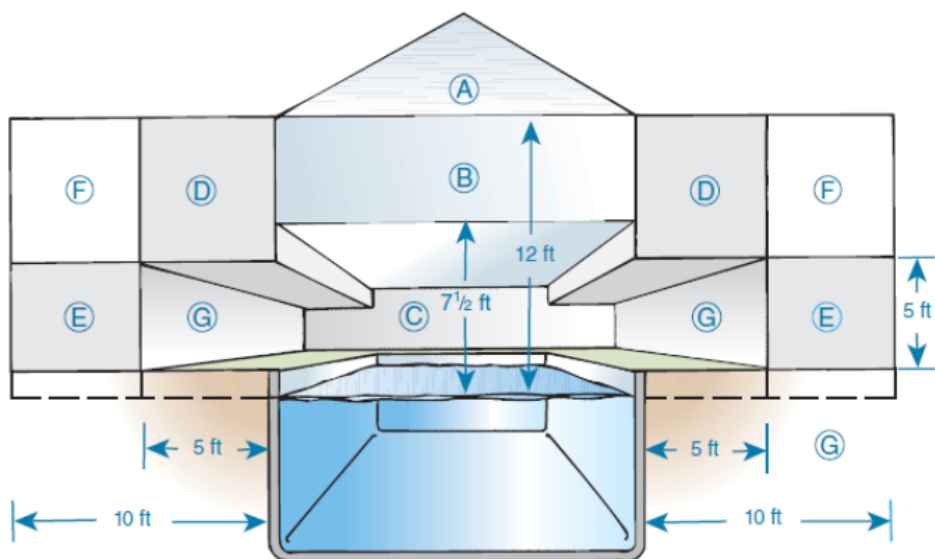


Outdoor Pools



- (A) Luminaires, lighting outlets, and ceiling-suspended (paddle) fans permitted above 12 ft.
- (B) Luminaires, lighting outlets, and ceiling-suspended (paddle) fans not permitted below 12 ft.
- (C) Existing luminaires and lighting outlets permitted in this space if rigidly attached to existing structure (GFCI required).
- (D) Luminaires and lighting outlets permitted if protected by a GFCI.
- (E) Luminaires and lighting outlets permitted if rigidly attached.
- (F) Listed low-voltage luminaires, listed low-voltage gas-fired luminaires, decorative fireplaces, fire pits, and similar equipment not requiring grounding and not exceeding the low-voltage contact limit, powered by supplies in accordance with 680.23(A)(2).

Indoor Pools



- (A) Luminaires, lighting outlets, and ceiling-suspended (paddle) fans permitted above 12 ft.
- (B) Totally enclosed luminaires protected by a GFCI and ceiling-suspended (paddle) fans protected by a GFCI permitted above 7 1/2 ft.
- (C) Luminaires, lighting outlets, and ceiling-suspended (paddle) fans not permitted below 5 ft.
- (D) Existing luminaires and lighting outlets permitted in this space if rigidly attached to existing structure (GFCI required).
- (E) Luminaires and lighting outlets permitted if protected by a GFCI.
- (F) Luminaires and lighting outlets permitted if rigidly attached.
- (G) Listed low-voltage luminaires not requiring grounding and not exceeding the low-voltage contact limit, powered by supplies in accordance with 680.23(A)(2).